



92x92x25 mm

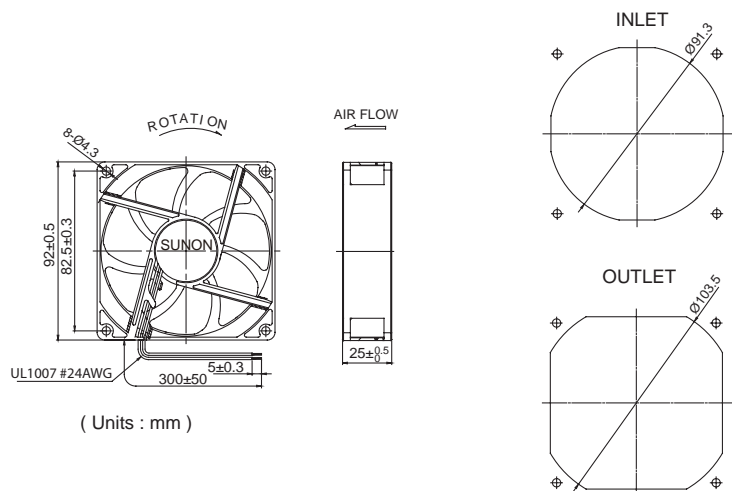
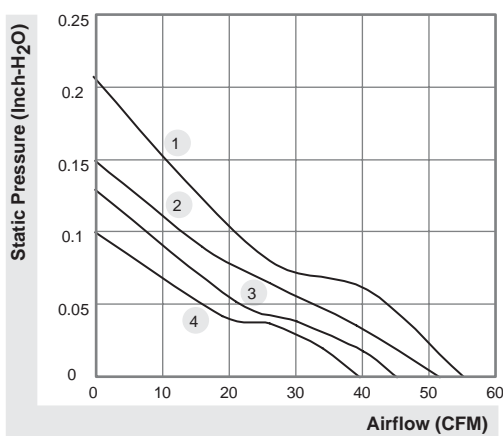
39.5~55 CFM



	Bearing	Rating Voltage (VDC)	Power Current (AMP)	Power Consumption (WATTS)	Speed (RPM)	Air Flow (CFM)	Static Pressure (Inch-H ₂ O)	Noise (dBA)	Weight (g)	Curve
	● VAPO									
ME92251VX-0000-A99	●	12	0.18	2.16	3400	55.0	0.21	37.5	103.0	1
ME92251V1-0000-A99	●	12	0.165	2.0	3000	51.5	0.15	34.0	96.0	2
ME92251V2-0000-A99	●	12	0.135	1.6	2700	45.0	0.13	32.0	96.0	3
ME92251V3-0000-A99	●	12	0.105	1.3	2400	39.5	0.10	28.0	96.0	4
ME92252VX-0000-A99	●	24	0.09	2.16	3400	55.0	0.21	37.5	103.0	1
ME92252V1-0000-A99	●	24	0.087	2.1	3000	51.5	0.15	34.0	94.0	2
ME92252V2-0000-A99	●	24	0.068	1.6	2700	45.0	0.13	32.0	94.0	3
ME92252V3-0000-A99	●	24	0.056	1.3	2400	39.5	0.10	28.0	94.0	4

Model		(VDC)	(AMP)	(WATTS)	(RPM)	(CFM)	(Inch-H ₂ O)	(dBA)	(g)	Curve
EE92251BX-0000-A99	⊕	12	0.18	2.16	3400	55.0	0.21	37.5	89.0	1
EE92251B1-0000-A99	⊕	12	0.165	1.98	3000	51.5	0.15	34.0	96.0	2
EE92251B2-0000-999	⊕	12	0.135	1.62	2700	45.0	0.13	32.0	96.0	3
EE92251B3-0000-999	⊕	12	0.091	1.26	2400	39.5	0.10	28.0	96.0	4
EE92252BX-0000-A99	⊕	24	0.1	2.4	3400	55.0	0.21	37.5	97.4	1
EE92252B1-0000-A99	⊕	24	0.087	2.1	3000	51.5	0.15	34.0	96.0	2
EE92252B2-0000-999	⊕	24	0.065	1.56	2700	45.0	0.13	32.0	96.0	3
EE92252B3-0000-999	⊕	24	0.052	1.25	2400	39.5	0.10	28.0	96.0	4
EE92251S1-0000-A99	○	12	0.165	2.0	3000	51.5	0.15	34.0	94.0	2
EE92251S2-0000-999	○	12	0.135	1.6	2700	45.0	0.13	32.0	94.0	3
EE92251S3-0000-999	○	12	0.105	1.3	2400	39.5	0.10	28.0	94.0	4
EE92252S1-0000-A99	○	24	0.087	2.1	3000	51.5	0.15	34.0	94.0	2
EE92252S2-0000-999	○	24	0.068	1.6	2700	45.0	0.13	32.0	94.0	3
EE92252S3-0000-999	○	24	0.056	1.3	2400	39.5	0.10	28.0	94.0	4

* Preliminary specification for reference.



*All model could be customized. Please contact with Sunon Sales.

*Specifications subject to change without notice. Please Visit SUNON web site at <http://www.sunon.com> for update information.