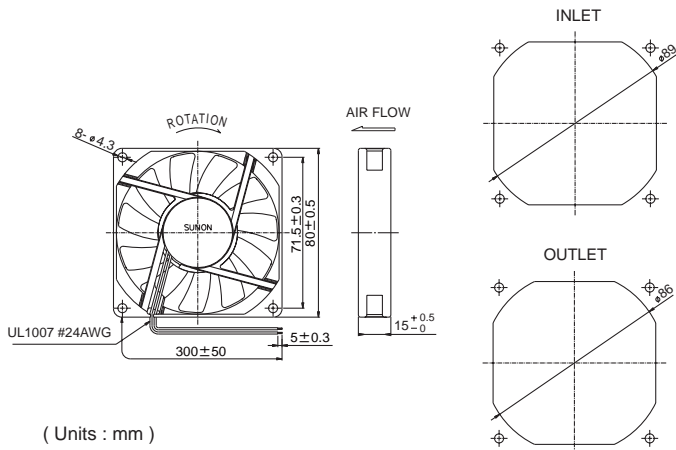
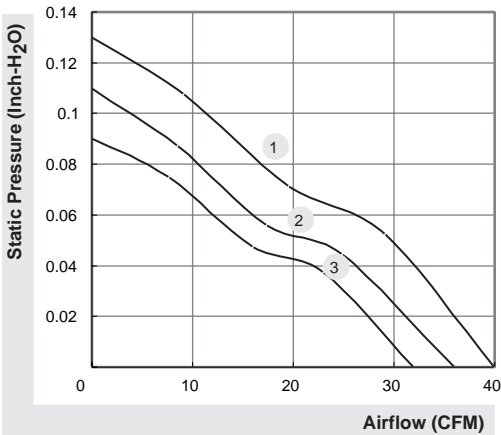


80x80x15 mm

32~40 CFM



Model	P/N	Bearing ● 2BALL ○ Sleeve	Rating Voltage (VDC)	Power Current (AMP)	Power Consumption (WATTS)	Speed (RPM)	Air Flow (CFM)	Static Pressure (Inch-H ₂ O)	Noise (dBA)	Weight (g)	Curve
KD1208PHB1	13.(2).GN	●	12	0.21	2.5	3000	40	0.13	35	68	1
KD1208PHB2	13.(2).GN	○	12	0.13	1.6	2700	36	0.11	32	68	2
KD1208PHB3	13.(2).GN	○	12	0.1	1.2	2400	32	0.09	29	68	3
KD2408PHB1	13.(2).A.GN	●	24	0.102	2.5	3000	40	0.13	35	68	1
KD2408PHB2	13.(2).A.GN	○	24	0.088	2.1	2700	36	0.11	32	68	2
KD2408PHB3	13.(2).A.GN	○	24	0.073	1.8	2400	32	0.09	29	68	3



*All model could be customized. Please contact with Sunon Sales.
 *Specifications subject to change without notice. Please Visit SUNON web site at <http://www.sunon.com> for update information.